

iR IRON ROBOTICS

SCISSOR LIFT CATALOG

ES SERIES



CONTACT US

Email sales3@irbot.co.kr

Website <https://ironrobotics.co.kr>

TEL +82 32 820 5131

Address 6, Hagensandan 5-ro ra-gil, Yangchon-eup, Gimpo-si, Gyeonggi-do, Republic of Korea (10049)



With over 50 years of heritage, Iron Robotics is a South Korean manufacturer and an official brand of Soosung, specializing in the production of industrial logistics equipment **since 1973**.

Built on decades of field-driven design experience and proven production know-how, Iron Robotics develops and manufactures a wide range of industrial equipment, including scissor lifts, stackers, and electric pallet trucks. All scissor lifts are engineered and manufactured in Korea and supplied to both local and global markets through design standards and quality management systems optimized for international export environments.

In the United States, Iron Robotics supplies scissor lifts under the EVS (Electric Vehicle Solution) brand. These products are engineered to meet North American safety regulations and job-site conditions, ensuring reliable performance tailored to the demands of the local market.

Over the years, we have expanded our global footprint by exporting our products to more than 50 countries, earning the trust of customers around the world.



SCISSOR LIFT

Slab Electric motor drive



OPTIONS

- 01 AC Power on the Platform
- 02 Custom Color

KEY FEATURES

- 01 Wide forks provide enhanced stability
- 02 Modular design allows easy customer customization
- 03 High efficiency with Eco-friendly performance
- 04 Smooth, stable operation
- 05 Precise and responsive control

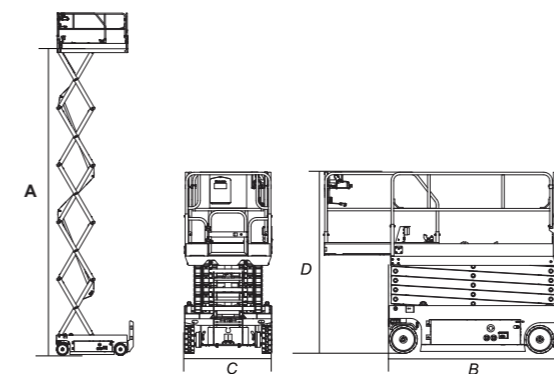
STANDARD FEATURES

- 01 Emergency Stop
- 02 Automatic Pothole Guard
- 03 Emergency Lowering
- 04 Overload Protection
- 05 Lowering Protection
- 06 Descent Protection Alarm
- 07 Tilt Level Protection
- 08 Safety Arm
- 09 Motion Alarm
- 10 Dual Flashing Beacons
- 11 Horn
- 12 Full-Height Drive
- 13 Non-Marking Tires
- 14 Forklift Pockets
- 15 Hour Meter
- 16 Automatic Braking System
- 17 Fault Diagnostic System
- 18 Half-Height Swing Gate
- 19 Charger Protection
- 20 Proportional Controls
- 21 Foldable Guardrail
- 22 Manual Brake Release
- 23 Self-Lubricating Bearings

SPECIFICATION



Model	ES0407E	ES0507E	ES0607E	ES0612E	ES0808E	ES0812E	ES1012E	ES1212E	ES1414E
Dimensions									
Max. Working Height	5.8 m	6.5 m	7.8 m	8 m	9.9 m	9.9 m	11.8 m	13.8 m	15.8 m
A Max. Platform Height	3.8 m	4.5 m	5.8 m	6 m	7.9 m	7.9 m	9.8 m	11.8 m	13.8 m
B Overall Length (Stowed)	1.47 m	1.47 m	1.86 m	2.45 m	2.45 m	2.45 m	2.45 m	2.45 m	2.81 m
C Overall Width	0.76 m	0.76 m	0.81 m	1.18 m	0.81 m	1.18 m	1.18 m	1.18 m	1.4 m
D Overall Height (Guardrails Unfolded)	2.12 m	2.12 m	2.13 m	2.19 m	2.31 m	2.31 m	2.44 m	2.56 m	2.8 m
Overall Height (Guardrails Folded)	1.66 m	1.66 m	1.65 m	1.67 m	1.83 m	1.8 m	1.92 m	2.04 m	2.27 m
Platform Height (Stowed)	1.29 m	1.29 m	1.67 m	2.25 m	2.25 m	2.25 m	2.25 m	2.25 m	2.61 m
Max Horizontal Reach (Extension)	0.6 m	0.6 m	0.9 m	0.9 m	0.9 m	0.9 m	0.9 m	0.9 m	0.9 m
Platform Width	0.76 m	0.76 m	0.76 m	1.16 m	0.8 m	1.16 m	1.16 m	1.16 m	1.2 m
Wheelbase	1005 mm	1005 mm	1.35 m	1.85 m	1.85 m	1.85 m	1.85 m	1.85 m	1.85 m
Ground Clearance (Stowed)	0.05 m	0.05 m	0.09 m	0.1 m	0.06 m	0.1 m	0.1 m	0.1 m	0.1 m
Ground Clearance (Lifting)	0.02 m	0.02 m	0.02 m	0.02 m	0.02 m	0.02 m	0.02 m	0.02 m	0.02 m
Weight									
Overall Weight	885 kg	980 kg	1550 kg	2255 kg	2150 kg	2400 kg	2785 kg	3000 kg	3500 kg
Performance									
Max. Platform Occupancy (Indoor)	2	2	2	2	2	2	2	2	2
Max. Platform Occupancy (Outdoor)	0	0	1	2	0	1	1	0	0
Lift Capacity	230 kg	230 kg	230 kg	550 kg	230 kg	460 kg	320 kg	320 kg	300 kg
Lift Capacity (Extension deck)	110 kg	110 kg	120 kg	120 kg	120 kg	120 kg	120 kg	120 kg	120 kg
Driving Height	Full Height	Full Height	Full Height	Full Height	Full Height	Full Height	Full Height	Full Height	Full Height
Driving speed (Stowed)	0-3.5 km/h	0-3.5 km/h	0-4.0 km/h	0-3.2 km/h	0-4.0 km/h	0-3.2 km/h	0-3.2 km/h	0-3.2 km/h	0-3.2 km/h
Driving speed (Raised)	0-0.8 km/h	0-0.8 km/h	0-0.8 km/h	0-0.8 km/h	0-0.8 km/h	0-0.8 km/h	0-0.8 km/h	0-0.8 km/h	0-0.8 km/h
Gradeability	25%	25%	30%	30%	25%	30%	25%	25%	25%
Turning Radius (Inside)	0.04 m	0.04 m	0 m	0.95 m	0.56 m	0.95 m	0.95 m	0.95 m	1.58 m
Turning Radius (Outside)	1.55 m	1.55 m	1.6 m	2.45 m	2.35 m	2.45 m	2.45 m	2.45 m	3.7 m
Max. Working Inclination Angle	1.5°/3°	1.5°/3°	1.5°/3°	1.5°/3°	1.5°/3°	1.5°/3°	1.5°/3°	1.5°/3°	1.5°/3°
Rise/Lower Speed	18/20 s	25/20 s	20/28 s	30/30 s	28/24 s	55/51 s	58/48 s	70/58 s	70/65 s
Tire Size	23 x 8 cm	23 x 8 cm	32.3 x 10 cm	38 x 13 cm	38 x 13 cm	38 x 13 cm	38 x 13 cm	38 x 13 cm	38 x 13 cm
Power									
Lead-acid battery voltage / capacity	2 x12 V / 85 Ah	2 x12 V / 85 Ah	4 x6 V / 220 Ah	4 x6 V / 220 Ah	4 x6 V / 220 Ah	4 x6 V / 220 Ah	4 x6 V / 220 Ah	4 x12 V / 290 Ah	4 x12 V / 290 Ah
Lithium Battery voltage / capacity	24 V / 100 AH	24 V / 100 AH	24V / 180AH	24V / 180AH	24V / 180AH	24V / 180AH	24V / 180AH	24V / 220AH	24V / 220AH
Charger	24 V / 15 A	24 V / 15 A	24 V / 36 A	24 V / 36 A	24 V / 36 A	24 V / 36 A	24 V / 36 A	24 V / 36 A	24 V / 36 A



ADDRESS 6, Hagunsandan 5-ro ra-gil, Yangchon-eup, Gimpo-si, Gyeonggi-do, Republic of Korea (10049)
E-MAIL sales3@irbot.co.kr
WEBSITE https://ironrobotics.co.kr

SCISSOR LIFT

Slab Hydraulic motor drive



OPTIONS

- 01 AC Power on the Platform
- 02 Custom Color

KEY FEATURES

- 01 Wide forks provide enhanced stability
- 02 Modular design allows easy customer customization
- 03 High efficiency with Eco-friendly performance
- 04 Smooth, stable operation
- 05 Precise and responsive control

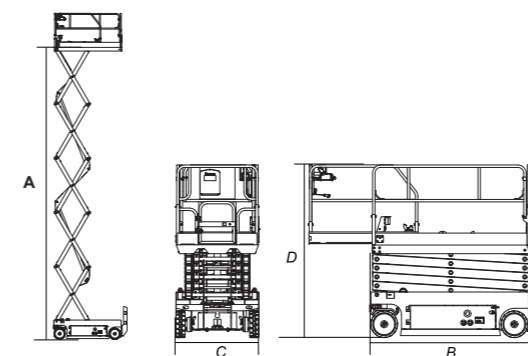
STANDARD FEATURES

- 01 Emergency Stop
- 02 Automatic Pothole Guard
- 03 Emergency Lowering
- 04 Overload Protection
- 05 Lowering Protection
- 06 Descent Protection Alarm
- 07 Tilt Level Protection
- 08 Safety Arm
- 09 Motion Alarm
- 10 Dual Flashing Beacons
- 11 Horn
- 12 Full-Height Drive
- 13 Non-Marking Tires
- 14 Forklift Pockets
- 15 Hour Meter
- 16 Automatic Braking System
- 17 Fault Diagnostic System
- 18 Half-Height Swing Gate
- 19 Charger Protection
- 20 Proportional Controls
- 21 Foldable Guardrail
- 22 Manual Brake Release
- 23 Self-Lubricating Bearings

SPECIFICATION



Model	ES0407W	ES0607W	ES0612	ES0808	ES0812	ES1012	ES1212	ES1414	ES1012XC	ES1212XC
Dimensions										
Max. Working Height	6.5 m	7.8 m	8.0 m	9.9 m	9.9 m	11.8 m	13.8 m	15.8 m	11.8 m	13.8 m
A Max. Platform Height	4.5 m	5.8 m	6.0 m	7.9 m	7.9 m	9.8 m	11.8 m	13.8 m	9.8 m	11.8 m
B Overall Length (Stowed)	1.85 m	1.85 m	2.45 m	2.45 m	2.45 m	2.45 m	2.45 m	2.81 m	2.45 m	2.45 m
C Overall Width	0.81 m	0.81 m	1.18 m	0.81 m	1.18 m	1.18 m	1.18 m	1.4 m	1.18 m	1.18 m
D Overall Height (Guardrails Unfolded)	2.01 m	2.12 m	2.19 m	2.31 m	2.31 m	2.44 m	2.56 m	2.78 m	2.44 m	2.75 m
Overall Height (Guardrails Folded)	1.56 m	1.65 m	1.67 m	1.83 m	1.8 m	1.92 m	2.04 m	2.27 m	1.92 m	2.23 m
Platform Height (Stowed)	1.65 m	1.65 m	2.25 m	2.25 m	2.25 m	2.25 m	2.25 m	2.61 m	2.25 m	2.25 m
Max Horizontal Reach (Extension)	0.9 m	0.9 m	0.9 m	0.9 m	0.9 m	0.9 m	0.9 m	0.9 m	0.9 m	0.9 m
Platform Width	0.76 m	0.76 m	1.16 m	0.8 m	1.16 m	1.16 m	1.16 m	1.2 m	1.16 m	1.16 m
Wheelbase	1.35 m	1.35 m	1.85 m	1.85 m	1.85 m	1.85 m	1.85 m	2.23 m	1.85 m	1.85 m
Ground Clearance (Stowed)	0.06 m	0.06 m	0.1 m	0.06 m	0.1 m	0.1 m	0.1 m	0.1 m	0.1 m	0.1 m
Ground Clearance (Lifting)	0.02 m	0.02 m	0.02 m	0.02 m	0.02 m	0.02 m	0.02 m	0.02 m	0.02 m	0.02 m
Weight										
Overall Weight	1240 kg	1500 kg	2255 kg	2150 kg	2400 kg	2785 kg	3000 kg	3500 kg	2970 kg	3520 kg
Performance										
Max. Platform Occupancy (Indoor)	2	2	2	2	2	2	2	2	2	2
Max. Platform Occupancy (Outdoor)	1	1	2	0	1	1	0	0	0	0
Lift Capacity	280 kg	2320 kg	550 kg	230 kg	460 kg	320 kg	320 kg	300 kg	400 kg	400 kg
Lift Capacity (Extension deck)	120 kg	120 kg	120 kg	120 kg	120 kg	120 kg	120 kg	120 kg	120 kg	120 kg
Driving Height	Full Height	Full Height	Full Height	Full Height	Full Height	Full Height	Full Height	Full Height	Full Height	Full Height
Driving speed (Stowed)	0-4 km/h	0-4 km/h	0-3.2 km/h	0-4 km/h	0-3.2 km/h	0-3.2 km/h	0-3.2 km/h	0-3.2 km/h	0-3.2 km/h	0-3.2 km/h
Driving speed (Raised)	0-0.8 km/h	0-0.8 km/h	0-0.8 km/h	0-0.8 km/h	0-0.8 km/h	0-0.8 km/h	0-0.8 km/h	0-0.8 km/h	0-0.8 km/h	0-0.8 km/h
Gradeability	30%	30%	30%	25%	30%	25%	25%	25%	25%	25%
Turning Radius (Inside)	0.74 m	0.74 m	0.95 m	0.56 m	0.95 m	0.95 m	0.95 m	1.58 m	0.95 m	0.95 m
Turning Radius (Outside)	1.7 m	1.7 m	2.45 m	2.35 m	2.45 m	2.45 m	2.45 m	3.7 m	2.45 m	2.45 m
Max. Working Inclination Angle	1.5°/3°	1.5°/3°	1.5°/3°	1.5°/3°	1.5°/3°	1.5°/3°	1.5°/3°	1.5°/3°	1.5°/3°	1.5°/3°
Rise/Lower Speed	18/28 s	18/28 s	30/30 s	28/24 s	55/51 s	58/48 s	70/58 s	70/65 s	58/48 s	70/58 s
Tire Size	30.5x 11.4 cm	30.5x 11.4 cm	38x13 cm	38x13 cm	38x13 cm	38x13 cm	38x13 cm	38x13 cm	38x13 cm	38x13 cm
Power										
Lead-acid battery voltage / capacity	4x6V/220Ah	4x6V/220Ah	4x6V/220Ah	4x6V/220Ah	4x6V/220Ah	4x6V/220Ah	4x12 V /290 Ah	4x12 V /290 Ah	4x12 V /290 Ah	4x12 V /290 Ah
Lithium Battery voltage / capacity	24V /180AH	24V /180AH	24V /180AH	24V /180AH	24V /180AH	24V /180AH	24V /220AH	24V /220AH	24V /220AH	24V /220AH
Charger	24 V /36 A	24 V /36 A	24 V /36 A	24 V /36 A	24 V /36 A	24 V /36 A	24 V /36 A	24 V /36 A	24 V /36 A	24 V /36 A



ADDRESS 6, Hagunsandan 5-ro ra-gil, Yangchon-eup, Gimpo-si, Gyeonggi-do, Republic of Korea (10049)
E-MAIL sales3@irbot.co.kr
WEBSITE https://ironrobotics.co.kr

WHEELED OUTRIGGER SCISSOR LIFT

Electric 4WD Series



KEY FEATURES

- 01 Modular Design, Easy Customization
- 02 High-Power Performance
- 03 Smooth Motion & Precise Control
- 04 One-Touch Outrigger Auto-Leveling

STANDARD FEATURES

- 01 Emergency Stop
- 02 Emergency Lowering
- 03 Overload Protection
- 04 Lowering Protection
- 05 Descent Protection Alarm
- 06 Tilt Level Protection
- 07 Motion Alarm
- 08 Dual Flashing Beacons
- 09 Non-Marking Tires
- 10 Hour Meter
- 11 Automatic Braking System
- 12 Fault Diagnostic System
- 13 Proportional Controls
- 14 Foldable Guardrail
- 15 Self-Lubricating Bearings
- 16 Lead-Acid Battery
- 17 Auto-Leveling

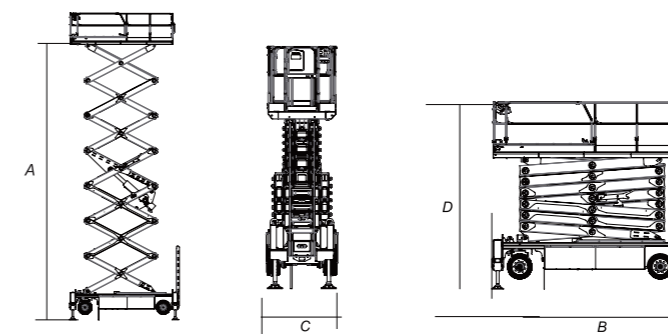
OPTIONS

- 01 AC Power Outlet on the Platform
- 02 Custom Color
- 03 Lithium Battery
- 04 Anti-Collision Plate
- 05 Air Line to Platform
- 06 Foot Pedal Switch
- 07 Platform LED Work Light
- 08 Air Switch

SPECIFICATION



Model	ES0612L	ES0812L	ES1812EL	ES2012EL
Dimensions				
Max. Working Height	8 m	9.9 m	20 m	22 m
A Max. Platform Height	6 m	7.9 m	18 m	20 m
B Overall Length (Stowed)	2.72 m	2.72 m	4.5 m	4.5 m
C Overall Width	1.18 m	1.18 m	1.25 m	1.25 m
D Overall Height (Guardrails Unfolded)	2.19 m	2.31 m	3.75 m	4 m
Overall Height (Guardrails Folded)	1.67 m	1.8 m	2.98 m	3.23 m
Platform Height (Stowed)	2.25 m	2.25 m	4.21 m	4.21 m
Max Horizontal Reach (Extension)	0.9 m	0.9 m	1.5 m	1.5 m
Platform Width	1.16 m	1.16 m	1.23 m	1.23 m
Wheelbase	1.85 m	1.85 m	3.2 m	3.2 m
Ground Clearance	0.1 m	0.1 m	0.21 m	0.21 m
Performance				
Max. Platform Occupancy	2	2	2	2
Lift Capacity	550 kg	460 kg	450 kg	450 kg
Lift Capacity (Extension deck)	120 kg	120 kg	227 kg	227 kg
Driving Height	Full Height	Full Height	No driving when lifting	No driving when lifting
Driving speed (Stowed, Without Outriggers deployed)	0-3.2 km/h	0-3.2 km/h	0-2.4 km/h	0-2.4 km/h
Driving speed (Raised, Without Outriggers deployed)	0-0.8 km/h	0-0.8 km/h	0	0
Gradeability	25%	25%	20%	20%
Longitudinal levelling angle (Front/Rear)	± 5°	± 5°	± 3.5°	± 3.5°
Horizontal levelling angle (Left/Right)	± 10°	± 10°	± 12°	± 12°
Turning Radius (Inside)	0.95 m	0.95 m	0.38 m	0.38 m
Turning Radius (Outside)	3.13 m	3.13 m	3.65 m	3.65 m
Max. Working Inclination Angle	1.5°/3°	1.5°/3°	1.5°/1.5°	1.5°/1.5°
Rise/Lower Speed	30/30 s	55/51 s	125/98 s	125/98 s
Control	Proportional Control	Proportional Control	Proportional Control	Proportional Control
Drive Type	2WD	2WD	4WD	4WD
Tire Size	38*13cm	38*13 cm	55.9*22.8 cm	55.9*22.8 cm
Battery	Lead acid / Lithium battery	Lead acid / Lithium battery	Lead acid / Lithium battery	Lead acid / Lithium battery
Weight				
Overall Weight	2518 kg	2706 kg	11200 kg	11500 kg



IR IRON ROBOTICS

ADDRESS 6, Hagunsandan 5-ro ra-gil, Yangchon-eup, Gimpo-si, Gyeonggi-do, Republic of Korea (10049)
E-MAIL sales3@irbot.co.kr
WEBSITE https://ironrobotics.co.kr

CRAWLER-TYPE SCISSOR LIFT



- Crawler Without Outriggers
- Crawler With outriggers



KEY FEATURES

- 01 Product modularization enables easy customization for customers
- 02 Strong power output
- 03 Smooth movement
- 04 Precise control
- 05 Automatic outrigger leveling

STANDARD FEATURES

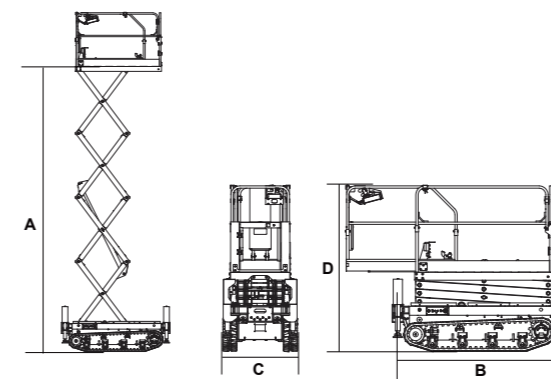
- 01 Emergency Stop
- 02 Emergency Lowering
- 03 Overload Protection
- 04 Lowering Protection
- 05 Descent Protection Alarm
- 06 Tilt Level Protection
- 07 Safety Arm
- 08 Motion Alarm
- 09 Dual Flashing Beacons
- 10 Horn
- 11 Hour Meter
- 12 Automatic Braking System
- 13 Fault Diagnostic System
- 14 Half-Height Swing Gate
- 15 Charger Protection
- 16 Proportional Controls
- 17 Foldable Guardrail
- 18 Manual Brake Release
- 19 Self-Lubricating Bearings

OPTIONS

- 01 AC Power Outlet on Platform
- 02 Custom Color

SPECIFICATION

Model	ES0507T	ES0610T	ES0610TL	ES0614TL	ES0814TL	ES1014TL	ES1214TL
Dimensions							
Max. Working Height	6.6 m	8 m	8 m	8 m	9.9 m	11.8 m	13.8 m
A Max. Platform Height	4.6 m	6 m	6 m	6 m	7.9 m	9.8 m	11.8 m
B Overall Length (Stowed)	1.53 m	2.05 m	2.27 m	2.66 m	2.66 m	2.66 m	2.66 m
C Overall Width	0.82 m	0.96 m	0.96 m	1.61 m	1.61 m	1.61 m	1.61 m
D Overall Height (Guardrails Unfolded)	2.07 m	2.14 m	2.14 m	2.29 m	2.41 m	2.55 m	2.67 m
Overall Height (Guardrails Folded)	1.53 m	1.67 m	1.67 m	1.77 m	1.89 m	2.04 m	2.15 m
Platform Length (Stowed)	1.32 m	1.8 m	1.8 m	2.25 m	2.25 m	2.25 m	2.25 m
Max Horizontal Reach (Extension)	0.56 m	0.89 m	0.9 m	0.9 m	0.9 m	0.9 m	0.9 m
Platform Width	0.76 m	0.78 m	0.78 m	1.16 m	1.16 m	1.16 m	1.16 m
Ground Clearance	0.1 m	0.145 m	0.145 m	0.15 m	0.15 m	0.15 m	0.15 m
Weight							
Overall Weight	925 kg	1640 kg	1875 kg	3311 kg	3486 kg	3776 kg	3910 kg
Performance							
Max. Platform Occupancy (Indoor)	1	2	2	3	3	2	2
Max. Platform Occupancy (Outdoor)	0	1	1	3	3	2	2
Lift Capacity (without outriggers deployed)	200 kg	200 kg	200 kg	-	-	-	-
Lift Capacity (with outriggers deployed)	-	-	230 kg	550 kg	460 kg	320 kg	320 kg
Lift Capacity (Extension desk)	115 kg	120 kg	120 kg	120 kg	120 kg	120 kg	120 kg
Driving speed (Stowed)	0-1.9 km/h	0-2 km/h	0-1.8 km/h	0-1.8 km/h	0-1.8 km/h	0-1.8 km/h	0-1.8 km/h
Driving speed (Raised)	-	-	-	-	-	-	-
Gradeability	30%	30%	30%	30%	30%	30%	30%
Turning Radius	0	0	0	0	0	0	0
Max. Working Inclination Angle (without outriggers deployed)	1.7°/1.7°	1.5°/2°	1.5°/2°	-	-	-	-
Max. Working Inclination Angle (with outriggers deployed)	-	-	0-0.5°/0-0.5°	0-0.5°/0-0.5°	0-0.5°/0-0.5°	0-0.5°/0-0.5°	0-0.5°/0-0.5°
Longitudinal levelling Front	-	-	± 10.37°	± 10°	± 10°	± 10°	± 10°
Lateral levelling	-	-	± 19.17°	± 15°	± 15°	± 15°	± 15°
Rise/Lower Speed	25/25 s	38/28 s ± 2	38/28 s ± 2	68-72 s / 68-72 s	68-72 s / 68-72 s	56-60 s / 46-50 s	68-72 s / 68-72 s
Tire Size	150x72	180x72	180x72	300x52.5	300x52.5	300x52.5	300x52.5
Power							
Battery voltage / capacity	2x12 V / 85 Ah	4x12 V / 230 Ah	4x12 V / 230 Ah	8x6 V / 220 Ah	8x6 V / 220 Ah	8x6 V / 220 Ah	8x6 V / 220 Ah
Charger	24 V / 15 A	24 V / 36 A	24 V / 36 A	48 V / 40 A	48 V / 40 A	48 V / 40 A	48 V / 40 A



ADDRESS 6, Hagunsandan 5-ro ra-gil, Yangchon-eup, Gimpo-si, Gyeonggi-do, Republic of Korea (10049)
E-MAIL sales3@irbot.co.kr
WEBSITE <https://ironrobotics.co.kr>